

UTS SALES AND REPAIRS

A SAFER WAY TO REACH NEW HEIGHTS

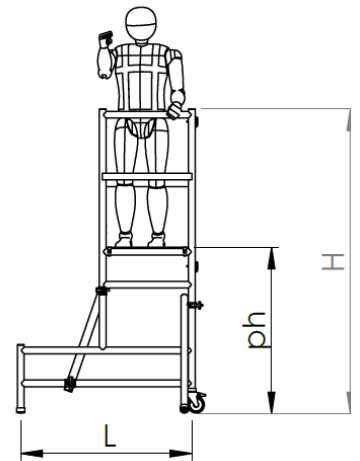
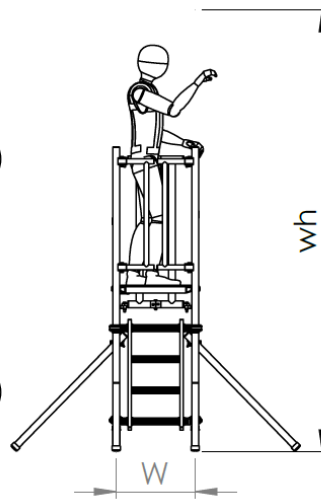
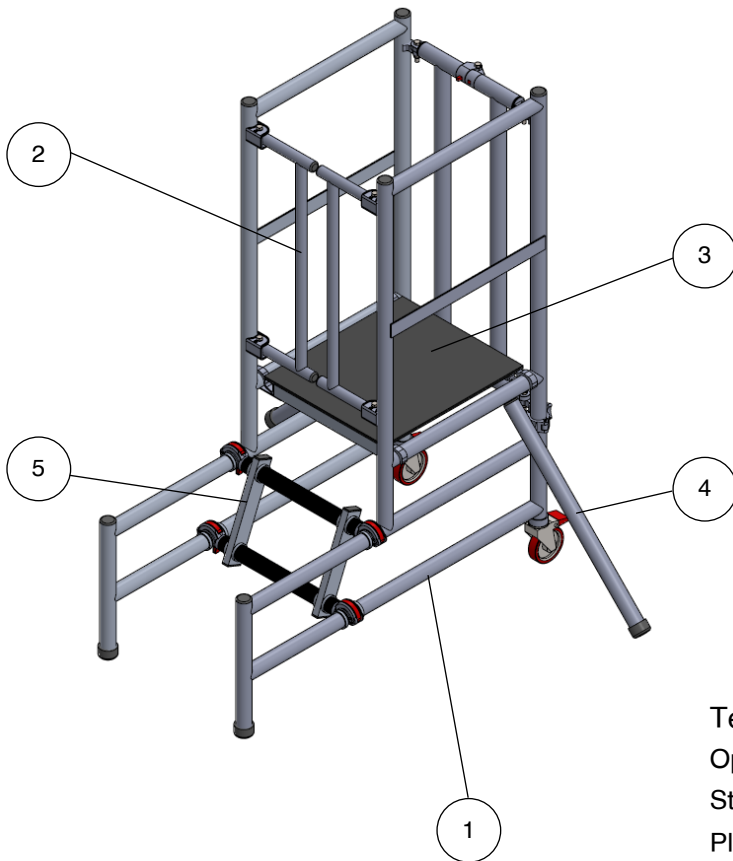
BS 8620 Podium
(H)1.76 X (L)1.37m X (W)0.65m

Working Height
2.75m

Platform Height
0.75m

Tower Components

Item	Description	Quantity
1	Podium Mainframe	1
2	Self Closing Gates	1
3	Platform	1
4	Stabilisers	2
5	Ladder	1
6	Instruction Manual	1



Technical information:

Open Dimensions:	(H)1.76 X (L)1.37m X (W)0.65m
Storage Dimensions:	(H)1.76 X (L)1.37m X (W)0.26m
Platform Dimensions:	0.6m X 0.53m
Platform Height (ph):	0.5m 0.75m
Working Height (wh):	2.5m 2.75m
Maximum Working Load:	150kg
Weight:	31kg

01227 860085
Mon-Fri, 8am until 5pm

For More Information:
info@towersandpodiums.co.uk
We reply within 1 hour
Mon-Fri, 8am until 5pm



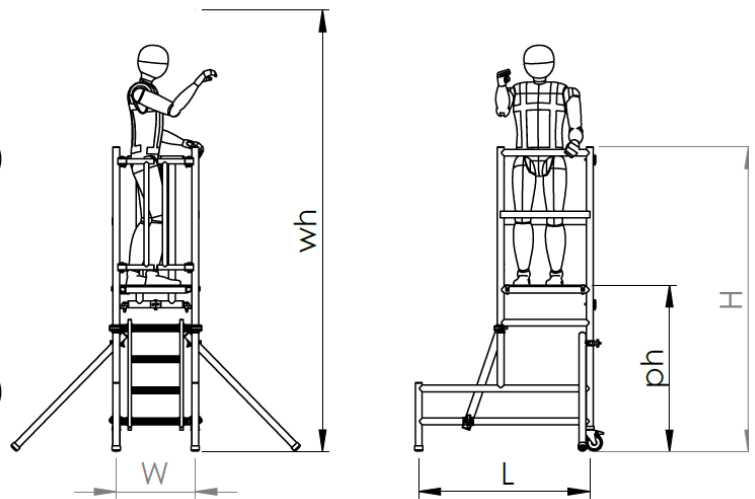
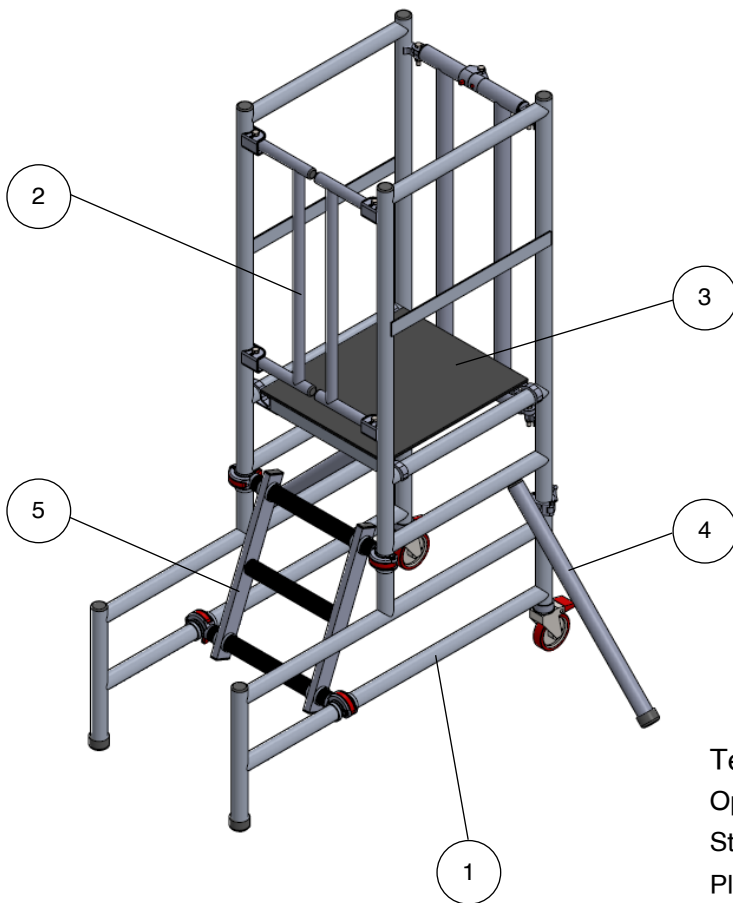
UTS SALES AND REPAIRS

A SAFER WAY TO REACH NEW HEIGHTS

BS 8620 Podium (H)2.01 X (L)1.37m X (W)0.65m	Working Height 3.0m	Platform Height 1.0m
--	-------------------------------	--------------------------------

Tower Components

Item	Description	Quantity
1	Podium Mainframe	1
2	Self Closing Gates	1
3	Platform	1
4	Stabilisers	2
5	Ladder	1
6	Instruction Manual	1



Technical information:

Open Dimensions:	(H)2.01 X (L)1.37m X (W)0.65m
Storage Dimensions:	(H)2.01 X (L)1.37m X (W)0.26m
Platform Dimensions:	0.6m X 0.53m
Platform Height (ph):	0.75m 1.0m
Working Height (wh):	2.75m 3.0m
Maximum Working Load:	150kg
Weight:	33kg

01227 860085
Mon-Fri, 8am until 5pm

For More Information:
info@towersandpodiums.co.uk
We reply within 1 hour
Mon-Fri, 8am until 5pm



UTS SALES AND REPAIRS

A SAFER WAY TO REACH NEW HEIGHTS

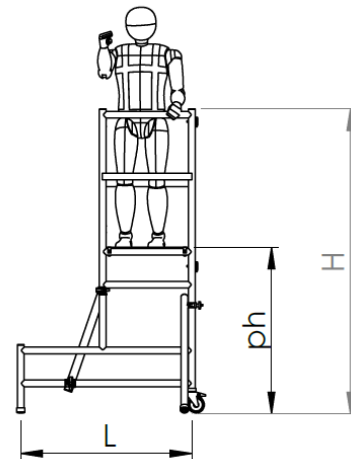
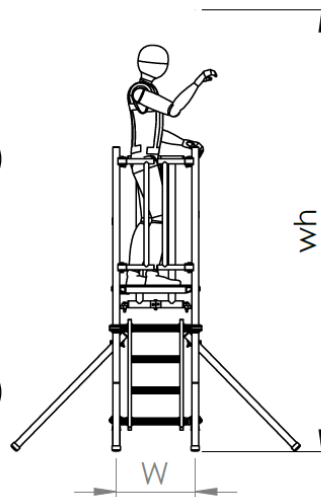
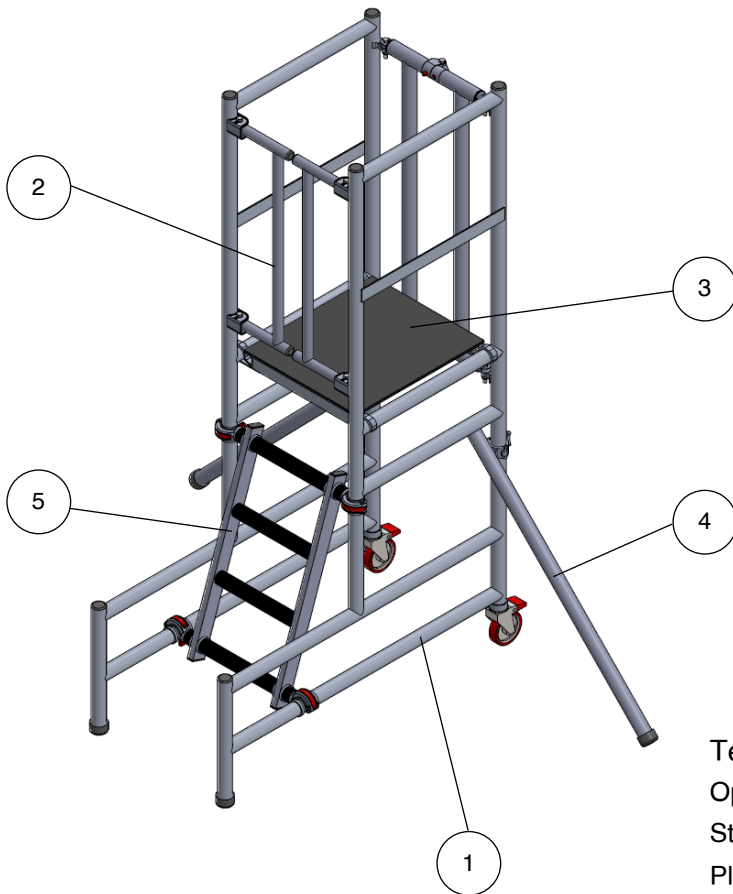
BS 8620 Podium
(H)2.26 X (L)1.37m X (W)0.65m

Working Height
3.25m

Platform Height
1.25m

Tower Components

Item	Description	Quantity
1	Podium Mainframe	1
2	Self Closing Gates	1
3	Platform	1
4	Stabilisers	2
5	Ladder	1
6	Instruction Manual	1



Technical information:

Open Dimensions:	(H)2.26 X (L)1.37m X (W)0.65m
Storage Dimensions:	(H)2.26 X (L)1.37m X (W)0.26m
Platform Dimensions:	0.6m X 0.53m
Platform Height (ph):	1.0m 1.25m
Working Height (wh):	3.0m 3.25m
Maximum Working Load:	150kg
Weight:	35kg

01227 860085
Mon-Fri, 8am until 5pm

For More Information:
info@towersandpodiums.co.uk
We reply within 1 hour
Mon-Fri, 8am until 5pm



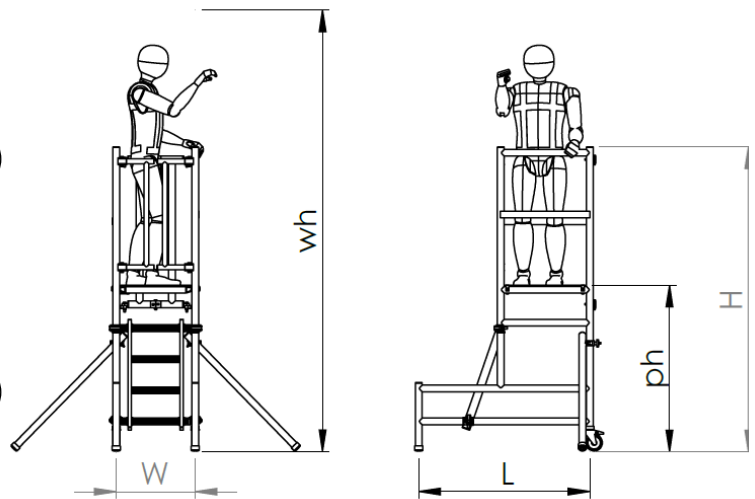
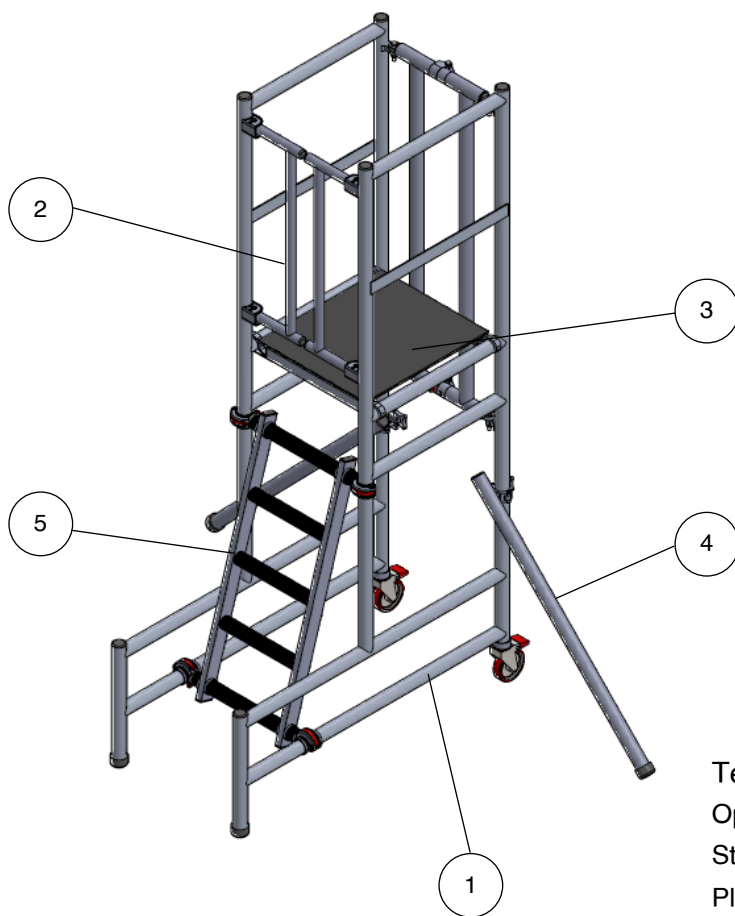
UTS SALES AND REPAIRS

A SAFER WAY TO REACH NEW HEIGHTS

BS 8620 Podium (H)2.51X (L)1.37m X (W)0.65m	Working Height 3.5m	Platform Height 1.5m
---	-------------------------------	--------------------------------

Tower Components

Item	Description	Quantity
1	Podium Mainframe	1
2	Self Closing Gates	1
3	Platform	1
4	Stabilisers	2
5	Ladder	1
6	Instruction Manual	1



Technical information:

Open Dimensions:	(H)2.51 X (L)1.37m X (W)0.65m	
Storage Dimensions:	(H)2.51 X (L)1.37m X (W)0.26m	
Platform Dimensions:	0.6m X 0.53m	
Platform Height (ph):	1.25m	1.5m
Working Height (wh):	3.25m	3.5m
Maximum Working Load:	150kg	
Weight:	40kg	

01227 860085
Mon-Fri, 8am until 5pm

For More Information:
info@towersandpodiums.co.uk
We reply within 1 hour
Mon-Fri, 8am until 5pm



UTS SALES AND REPAIRS

A SAFER WAY TO REACH NEW HEIGHTS

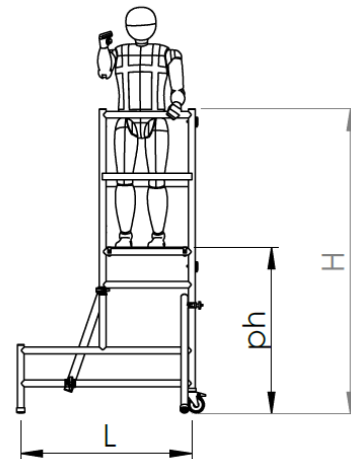
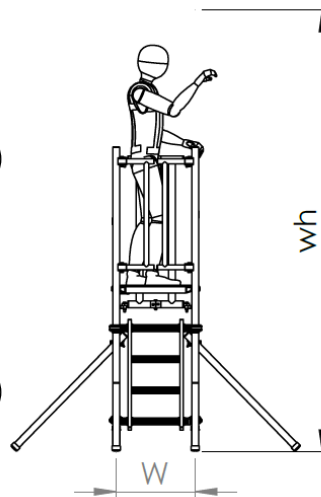
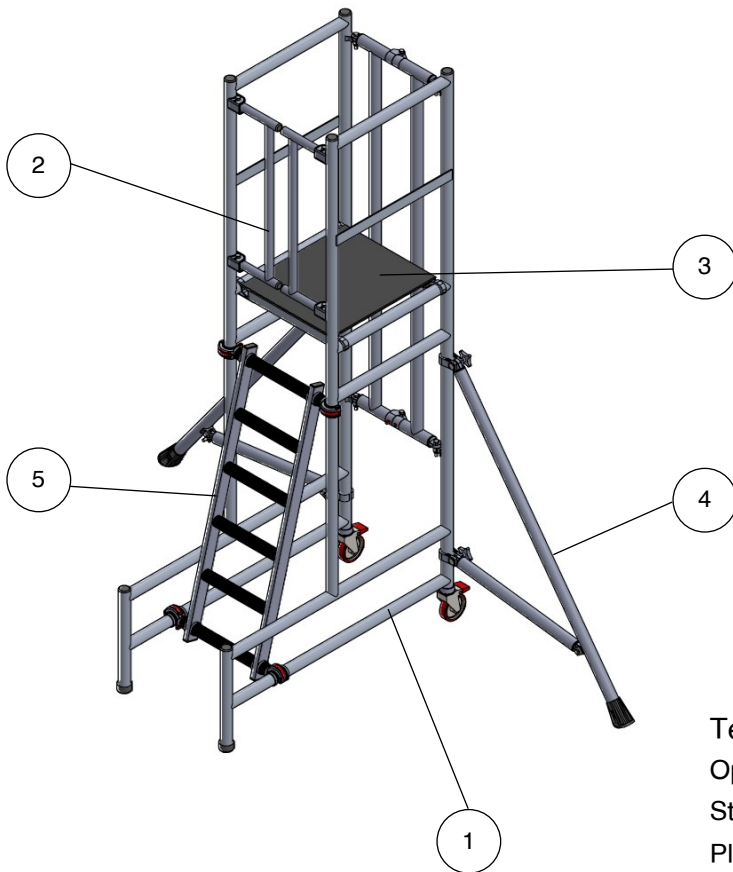
BS 8620 Podium
(H)2.76 X (L)1.37m X (W)0.65m

Working Height
3.75m

Platform Height
1.75m

Tower Components

Item	Description	Quantity
1	Podium Mainframe	1
2	Self Closing Gates	1
3	Platform	1
4	Stabilisers	2
5	Ladder	1
6	Instruction Manual	1



Technical information:

Open Dimensions:	(H)2.76 X (L)1.37m X (W)0.65m
Storage Dimensions:	(H)2.76 X (L)1.37m X (W)0.26m
Platform Dimensions:	0.6m X 0.53m
Platform Height (ph):	1.5m 1.75m
Working Height (wh):	3.5m 3.75m
Maximum Working Load:	150kg
Weight:	45kg

01227 860085
Mon-Fri, 8am until 5pm

For More Information:
info@towersandpodiums.co.uk
We reply within 1 hour
Mon-Fri, 8am until 5pm



UTS SALES AND REPAIRS

A SAFER WAY TO REACH NEW HEIGHTS

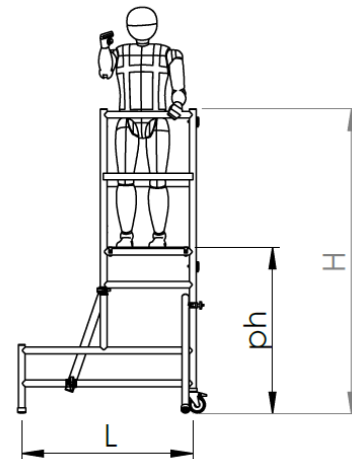
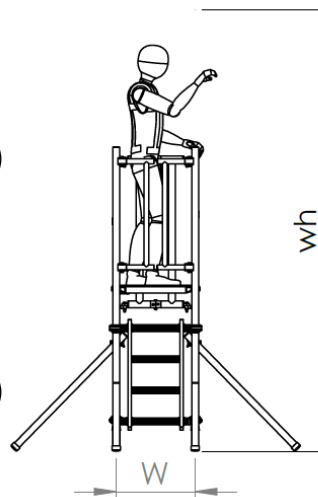
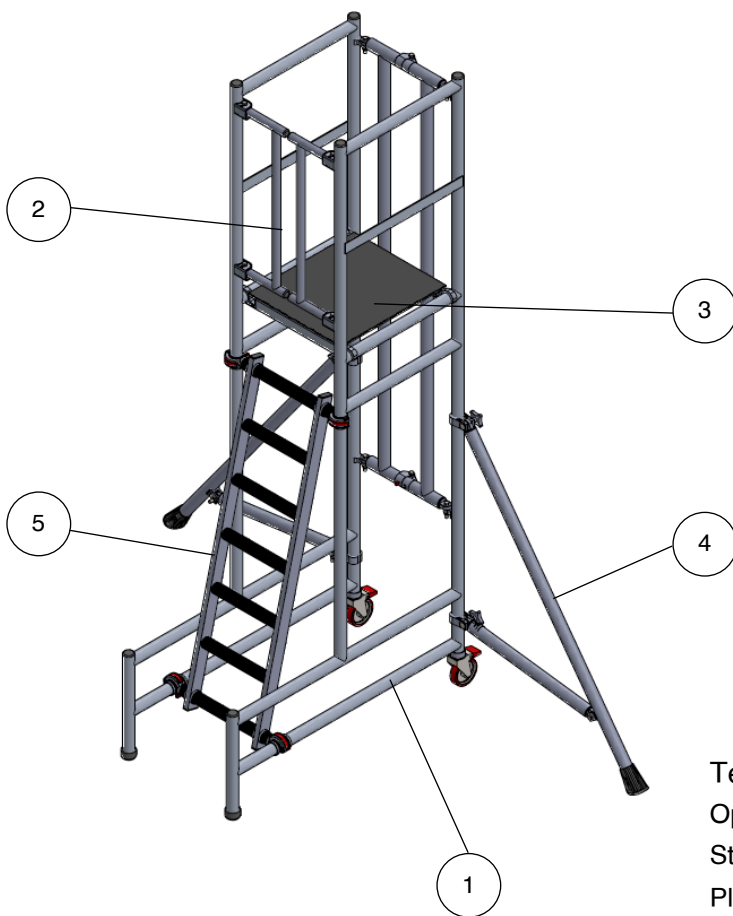
BS 8620 Podium
(H)3.01 X (L)1.37m X (W)0.65m

Working Height
4.0m

Platform Height
2.0m

Tower Components

Item	Description	Quantity
1	Podium Mainframe	1
2	Self Closing Gates	1
3	Platform	1
4	Stabilisers	2
5	Ladder	1
6	Instruction Manual	1



Technical information:

Open Dimensions:	(H)3.01 X (L)1.37m X (W)0.65m
Storage Dimensions:	(H)3.01 X (L)1.37m X (W)0.26m
Platform Dimensions:	0.6m X 0.53m
Platform Height (ph):	1.75m 2.0m
Working Height (wh):	3.75m 4.0m
Maximum Working Load:	150kg
Weight:	48kg

01227 860085
Mon-Fri, 8am until 5pm

For More Information:
info@towersandpodiums.co.uk
We reply within 1 hour
Mon-Fri, 8am until 5pm

